



TK AUDIO TC1

Transceiver - Reamp tool



The main function is to convert balanced signals to unbalanced and back again.

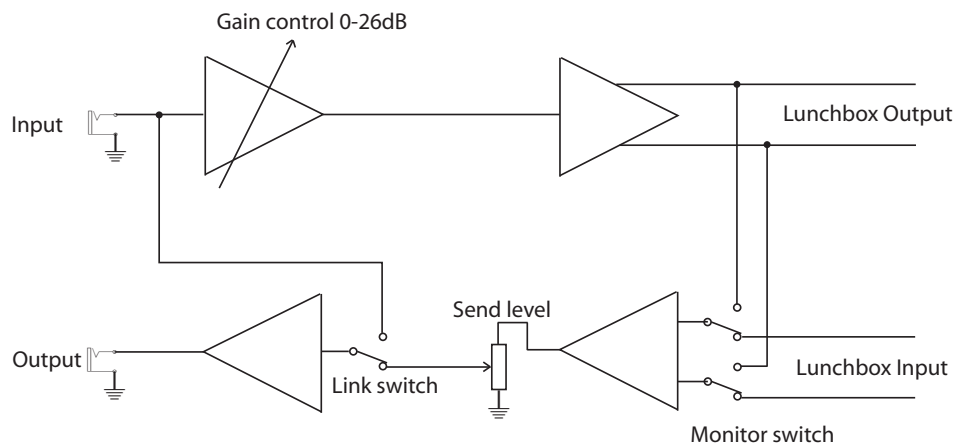
*It's an insert station. Insert your unbalanced gear such as guitar pedals and old echo fx into your DAW or consol.

*It's an active DI-box with up to 26dB of gain. Plug your favourite instrument into your collection of vintage gear via the TC1.

*It's a reamp tool.

*It's a Swiss Army Knife on stage. Hook up balanced gear on stage between your instrument and amp.

A new manual will soon be available at www.tkaudio.se



The Controls:

Gain: Return gain, 0-26dB.

Send: Send level.

Monitor: For re-amping. Feeds the balanced output (rear) signal back to the send (front) without passing the DAW.

Link: For re-amping. Front input linked direct to the front output via a hi impedance buffer.



Re-amping:

1. Connect your guitar and amp to the front input and output.
2. Activate the link switch.
3. Dial in your amps sound.
4. Create a track in your DAW that also sends back the signal to your lunchbox/TC1.
5. Use the gain control to feed the right level to your DAW.
6. Turn down the send control, activate the monitor switch and deactivate the link switch, now turn up the send control to get the same level from your amp as you had with the link switch activated.
7. Record your guitar track.
8. Play back the recorded guitar signal into your amp by deactivate the monitor switch and adjust your DAW's send level to get the same level as before while tracking.